

HydroTap Touch-Free Wave BCS Tap

Product Spec Sheet



HydroTap Touch-Free Wave Boiling/Chilled/Sparkling (BCS) Tap

Enjoy water at its best with a HydroTap Touch-Free Wave and enjoy instant, filtered boiling, chilled and sparkling water with just the wave of a hand!

The HydroTap Touch-Free Wave can be installed over the sink as a secondary tap or over either of our optional Classic Range Font/Drip Trays (Integrated or Raised).

The HydroTap Touch-Free Wave BCS is available in Chrome and Matte Black with Chrome Accents.

HydroTap Touch-Free Wave BCS Tap - Available Finishes



Chrome



Matte Black with
Chrome Accents

Product Order Codes for HydroTap Touch-Free Wave BCS Taps

HydroTap Touch-Free Wave BCS Tap in Chrome	01041859
HydroTap Touch-Free Wave BCS Tap in Matte Black with Chrome Accents	01042557

HydroTap Touch-Free Wave BCS - Tap Specs

Style:	HydroTap Touch-Free Wave Tap (BCS) - includes boiling water safety lock
Hole Size:	1 3/8" (35mm)
Tap Height:	8 7/16" (215mm) or 13 3/4" (350mm) when installed with the optional font
Installation:	Over the sink as a secondary tap or on optional font/drip tray. For sink installations, install on left-hand side for ease of access to boiling water sensor. A minimum clearance envelope of 4" (100mm) must be kept around tap for access to sensors.
Flow Rate:	Max 1.8 gpm / 6.81 lpm
Sparkling Water Flow Rate	0.4 gpm / 1.51 lpm
Product Certifications:	IAPMO - NSF/ANSI 372, 42, 53, CSA B438.1, ASSE 1023, ASSE 1087; cUL; CEC
ADA Compliant:	Yes

Please see individual product spec sheets for command center and accessory product specs and order codes.

HydroTap Touch-Free Wave BCS Tap

Product Spec Sheet



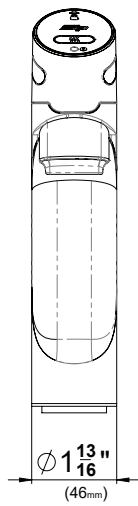
Installation Requirements

The HydroTap is a pump-driven system so the installation of the Tap must be within 3' (0.9m) of the base command center. Installation on most countertops is straightforward however, some stone countertops may require a specialized cutting service.

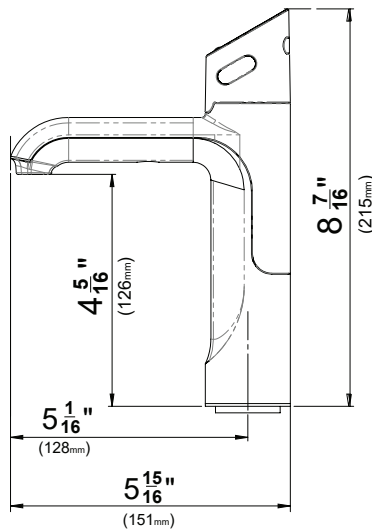
If using a drip tray (font) accessory, suitable drainage to a trapped waste is required within 3' (0.9m) of the installation. Sufficient space and clearance to install the HydroTap as detailed in the product installation guidelines is required.

Installation and connection of your HydroTap must be carried out by a qualified person, observing all local, state, & federal regulations.

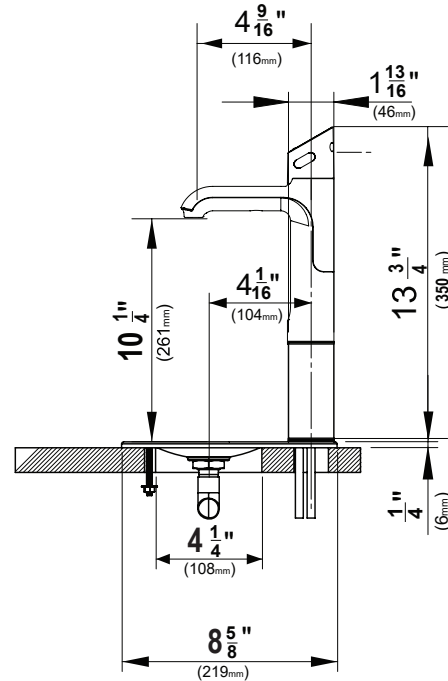
HydroTap Touch-Free Wave BCS - Tap Drawings



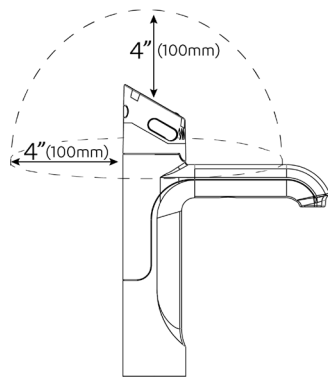
Front View



Side View

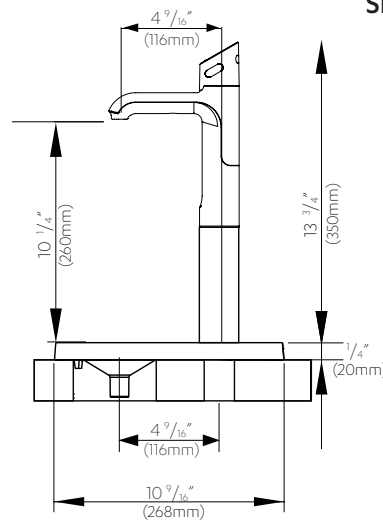


Side View with Integrated Font

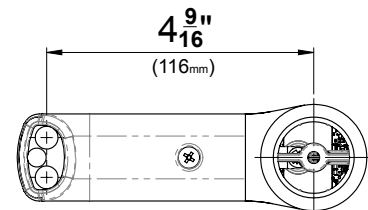


Clearance Envelope

A minimum of 4" (100mm) clearance envelope required.



Side View with Raised Font



Top View

Installation by Zip Professional Service is available in select metro areas and can be arranged with a phone call to 1-833-233-2358 or by emailing wecare@na.zipwater.com. Technical Installation assistance over phone or video call can be obtained by calling our customer care line at 1-833-233-2358, Monday through Friday 8am - 5pm Central Time.